

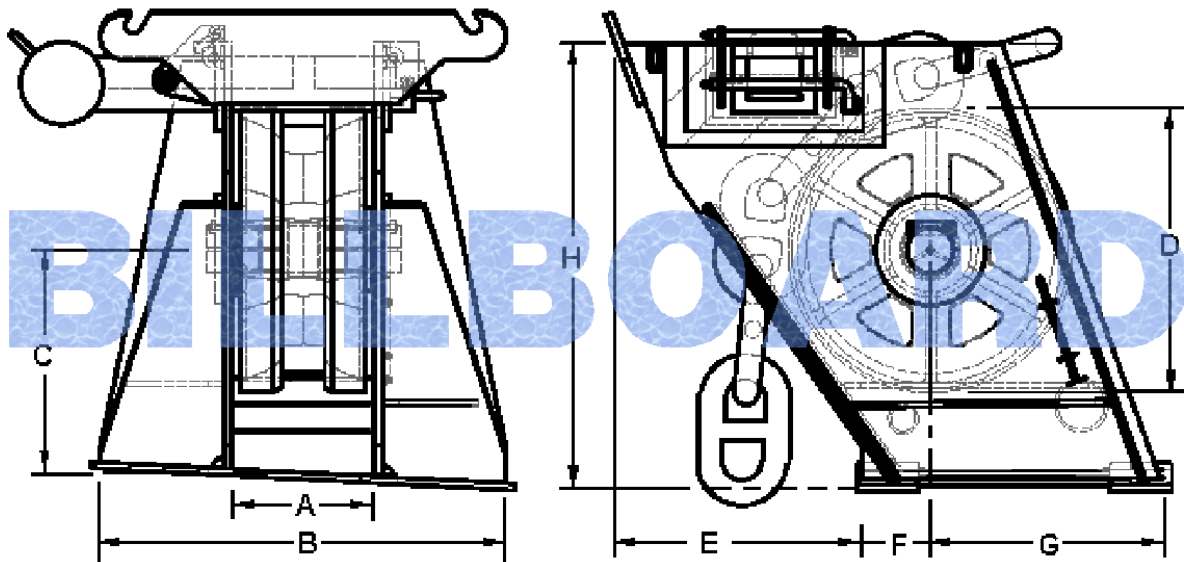
CHAIN CABLE STOPPER

CHAIN CABLE STOPPER – ROLLER TYPE (WITH BAR)



Feature :

1. Bronze Bushing.
2. Bar Stopper (Adjust on board to secure the Ship's Anchor at Anchor House).
3. Turnbuckle and Wire Stopper to secure the Ship's Anchor at Hawse Pipe.
4. Withstand 80% of Chain Cable's breaking load.
5. Incline Angle as request.
6. Port and Starboard Side as request.
7. Save Deck Space.



Product Code: AE-0110

Chain Dia. (mm)	Dimensions (mm)								Mass (kgs)
	A	B	C	D	E	F	G	H	
20 – 26	150	350	275	270	125	200	375	475	165
28 – 34	200	450	350	270	235	240	425	550	200
36 – 44	250	560	340	444	275	270	520	600	380
46 – 52	300	640	625	530	235	325	680	750	650
54 – 58	330	740	515	620	320	380	800	900	1080
60 – 64	360	780	565	670	385	400	900	1000	1750
66 – 73	420	900	610	750	390	470	950	1100	2100
76 – 84	470	1000	680	870	430	520	980	1200	2850
87 – 95	530	1100	760	1000	520	610	1100	1350	3900
97 – 104	575	1225	880	1100	525	650	1250	1450	4900
107 – 114	640	1400	930	1250	620	720	1400	1650	4950
117 – 124	680	1450	1000	1350	720	780	1500	1750	5100
127 – 132	700	1500	1100	1450	810	820	1650	1920	5600