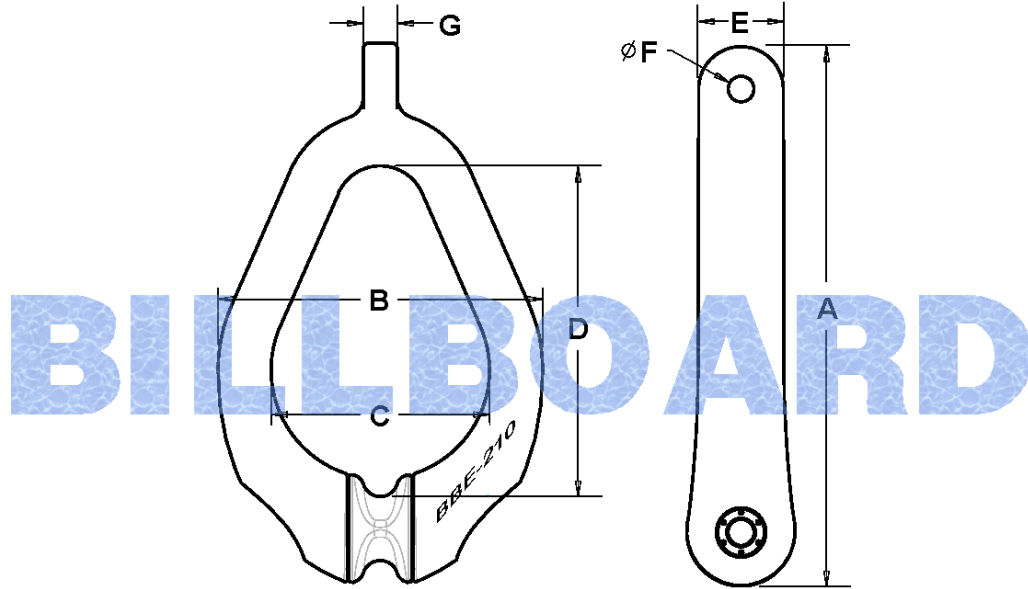


# CHAIN CHASER

## PERMANENT WIRE CHASER – TYPE BBE-210

Pull Load (Ton)	SWL (Ton)	Dimensions in mm							Weight (kgs)
		A	B	C	D	E	F	G	
250	130	2073	1245	838	1270	330	99	130	2040
400	250	2538	1420	900	1400	390	165	191	3580



## PERMANENT RING CHASER – TYPE BBE-218

Pull Load (Ton)	SWL (Ton)	Dimensions in mm							Weight (kgs)
		A	B	C	D	E	F	G	
170	100	1700	881	711	720	801	100	120	800
300	200	1725	841	711	720	801	112	132	1000

